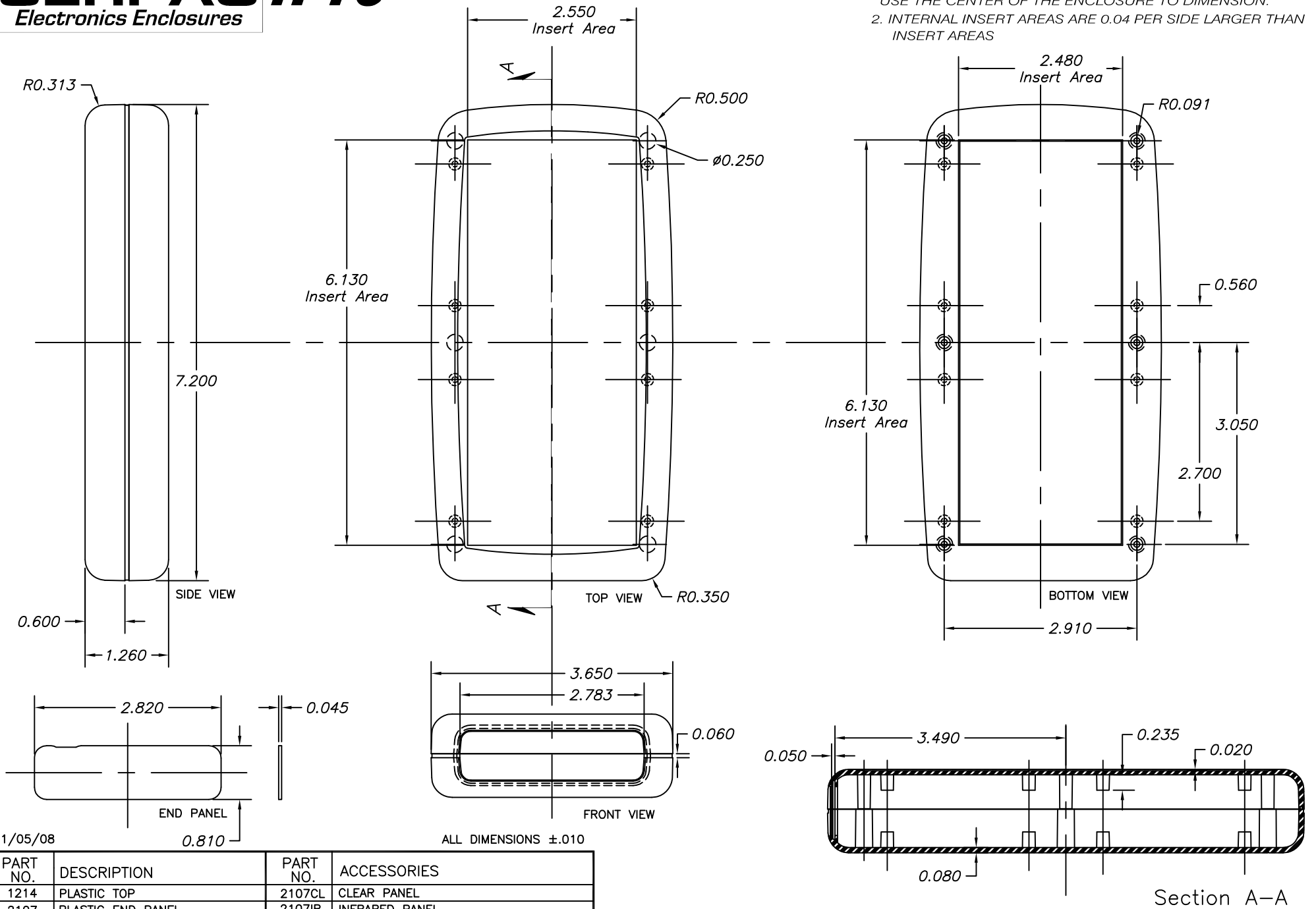


# SERPAC H-75

Electronics Enclosures

NOTES:

1. WHEN MACHINE OR I PLATES MODIFICATIONS ARE REQUIRED, USE THE CENTER OF THE ENCLOSURE TO DIMENSION.
2. INTERNAL INSERT AREAS ARE 0.04 PER SIDE LARGER THAN INSERT AREAS



11/05/08

ALL DIMENSIONS  $\pm 0.010$

PART NO.	DESCRIPTION	PART NO.	ACCESSORIES
1214	PLASTIC TOP	2107CL	CLEAR PANEL
2107	PLASTIC END PANEL	2107IR	INFRARED PANEL
1215	PLASTIC BOTTOM	2107R	TRANSPARENT RED PANEL
6003	SCREW (6)	PC	Pocket Clip
		60	STANDOFF HOLES
		61	STANDOFF POSTS

Section A-A